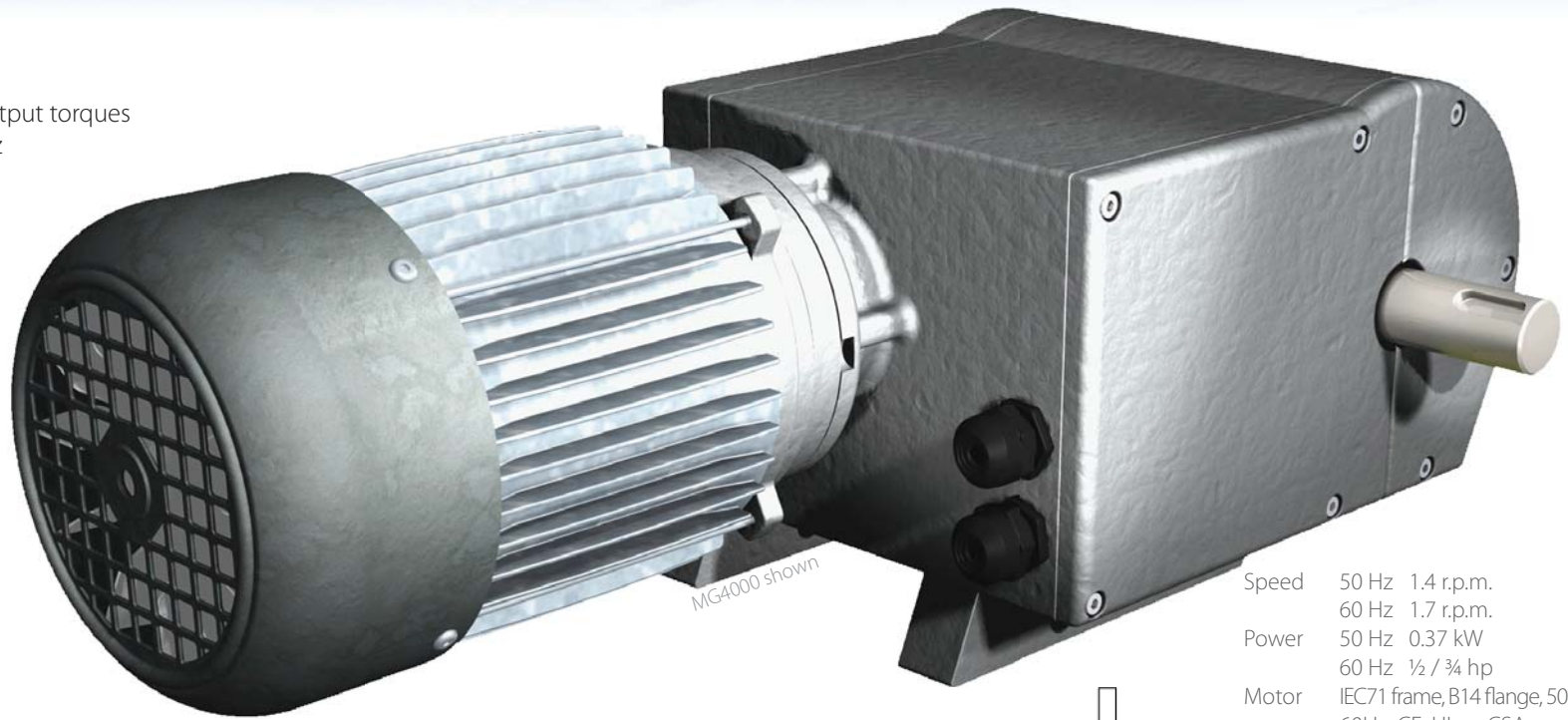


Climate Controls

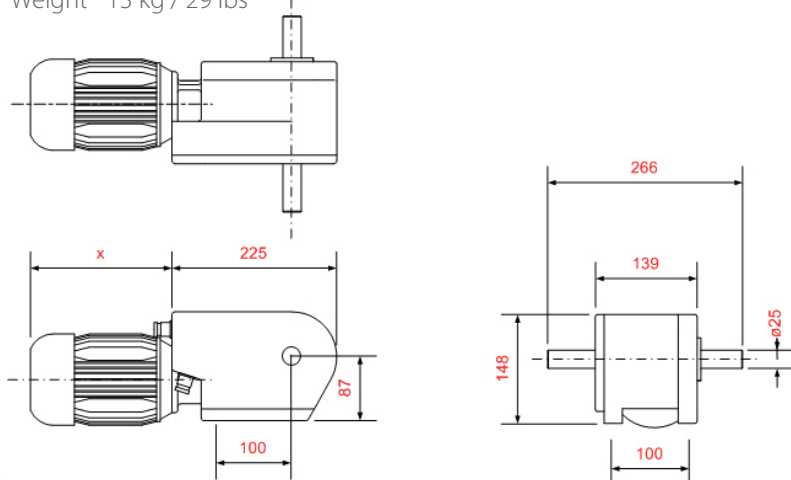
- Wide selection of drive speeds and output torques
- Single and three phase in 50 and 60Hz
- Built-in adjustable limit switches



	Version 1	Version 2
Speed	50 Hz 2.0 r.p.m. 60 Hz 2.4 r.p.m.	50 Hz 3.0 r.p.m. 60 Hz 3.7 r.p.m.
Power	50 Hz 0.22 kW 60 Hz ¼ / ⅓ hp	50 Hz 0.37 kW 60 Hz ½ hp
Motor	IEC 63 frame, B14 flange, 50 or 60Hz, CE, UL or CSA	
Ratio	716.2:1 460:1	
Torque	50 Hz 200 Nm 60 Hz 1800 in. lb.	50 Hz 180 Nm 60 Hz 1600 in. lb.
Weight	13 kg / 29 lbs	

Speed	50 Hz 1.4 r.p.m. 60 Hz 1.7 r.p.m.
Power	50 Hz 0.37 kW 60 Hz ½ / ¾ hp
Motor	IEC71 frame, B14 flange, 50 or 60Hz, CE, UL or CSA
Ratio	939.3:1
Torque	50 Hz 450 Nm 60 Hz 4000 in. lb.
Weight	22 kg / 48 lbs

MG2000 Data



MG4000 Data

